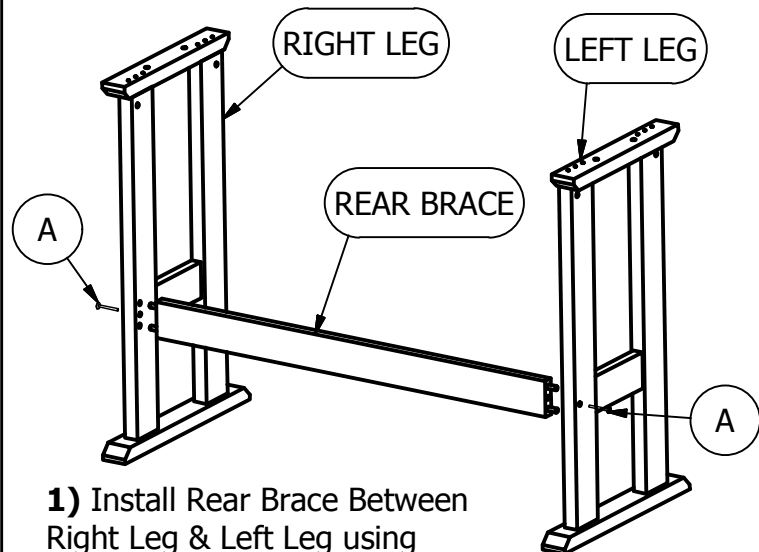
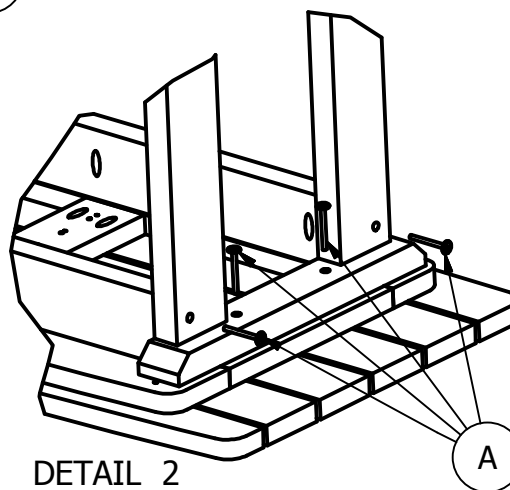
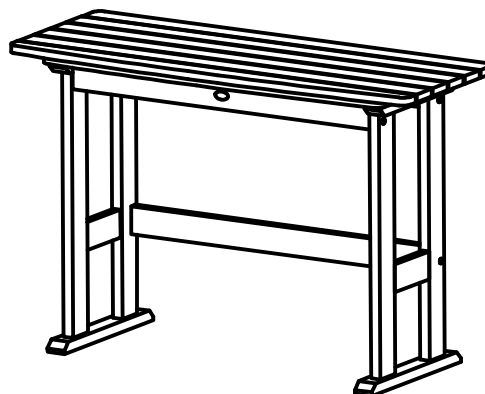


# Balcony Counter Table

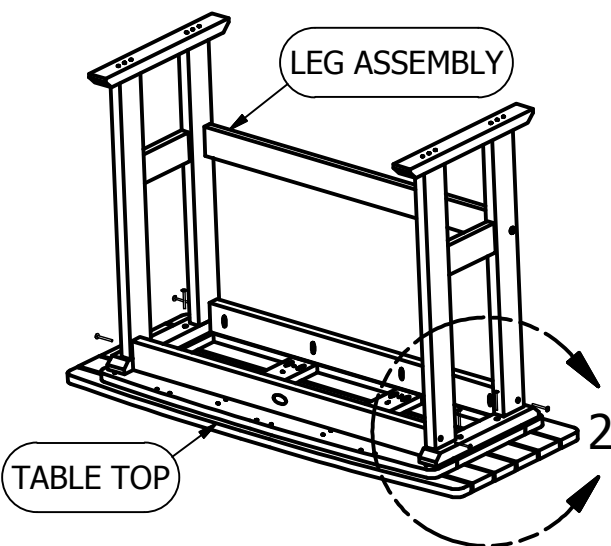
## Assembly Guide



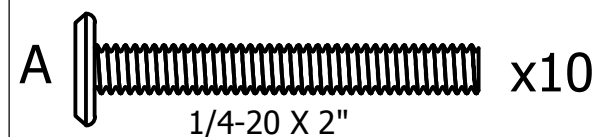
- 1) Install Rear Brace Between Right Leg & Left Leg using (2) "A" Bolts as Shown.



- 2) Turn Leg Assembly Over and Set on Table Top as Shown. Attach Leg Assembly to One Side of Table Top Using (4) "A" Bolts. Repeat on Other Side.

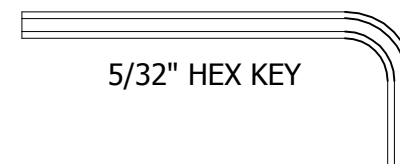


### HARDWARE



**IMPORTANT!**  
DO NOT fully tighten the bolts until all bolts are started. Once all bolts are inserted, go back & tighten all the bolts.  
Retain these instructions for future reference

### INCLUDED TOOLS



5/32" HEX KEY